

ASKARI ELECTRIC MOTORS



**CERTIFICATE FOR THE EXEMPTION
FROM EXPORT INSPECTION
NATIONAL HI-TECH ENTERPRISE**



ISO9001:2000 ISO14001:2004 OHSAS18000

ASKARI ELECTRIC (PTY) LTD

CONTACT US

Tel: 011 394 5837

Fax: 011 975 6751

Address: 41 Steel Road, Spartan, Kempton Park, 1620

Postal: P.O Box 11026, Aston Manor, 1630

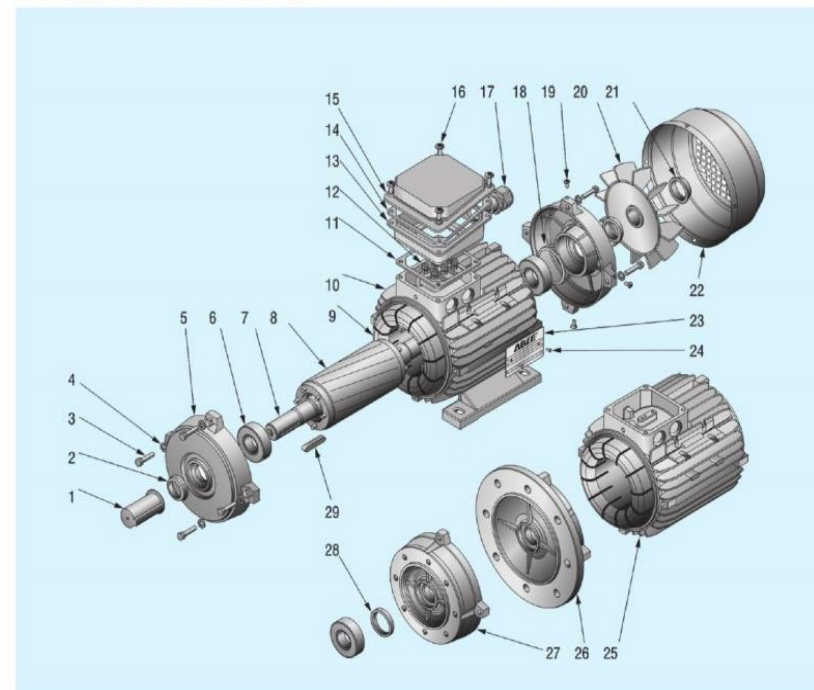


CAST IRON

BE QUIET BE PERMANENT



INSTALLATION DIMENSIONS



N.	Description	N.	Description	N.	Description
1	Shaft cover	13	Terminal block box - base	25	B5 motor casing
2	V-ring	14	IP 65 gasket	26	B5 flange
3	Motor clamping screws	15	Terminal block box - cover	27	B14 flange
4	Spring ring	16	Terminal block box tightening screws	28	Sealing ring
5	Shield	17	Cable inlet bush	29	Shaft key
6	Bearing	18	Compensation ring		
7	Motor shaft	19	Fan cover tightening screws		
8	Rotor	20	PVC fan		
9	Wound stator	21	Ring for fan tightening		
10	Motor casing B3-BS	22	Fan cover		
11	IP 55 gasket	23	Motor identification plate		
12	Mains power connection terminal block	24	Motor identification plate tightening screws		

Y2

SERIES THREE-PHASE ASYNCHRONOUS MOTOR



INTRODUCE :

These three phase motors are made to IEC standards. These are superior motors having excellent power factors efficiencies and starting torques. These motors are widely used in the agricultural, pumping, manufacturing and building service industries.

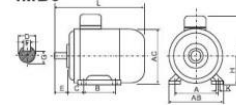
MOTOR FEATURES

- Utilise IP55 enclosures, others request
- Class F insulation, Class H available on request
- 380/415 Volt 50/60 Hz windings
- High quality magnet wire
- Vacuum varnish impregnation for superior tropic proof insulation
- Continuous S1 operation
- Industrial type service factors
- Heavy duty ball bearings
- High strength cast iron frame
- Balanced rotors

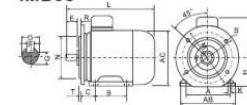
CUSTOMER BENEFITS

- Water dust and vermin resistant
- Quiet operation
- Corrosion resistant
- Reliable in country, city or factory environments
- Very low vibration
- Very low power consumption
- Superior life

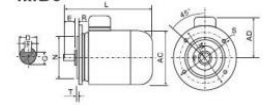
IMB3



IMB35



IMB5



INSTALLATION DIMENSIONS

Frame Size	Mounting Dimensions(mm)														Frame Dimensions (mm)										
	A	B	C	D	E	F	G	H	K	M	N	P	R	S	T	AB	AC	AD	HD	L					
63	100	80	40	11	23	4	8.5	63	7	115	95	140	0	10	3	135	130	70	180	230					
71	112	90	45	14	30	5	11	71	7	130	110	160	0	10	3	150	145	80	195	255					
80	125	100	50	19	40	6	15.5	80	10	165	130	200	0	12	3.5	165	175	145	220	295					
90S	140	100	56	24	50	8	20	90	10	165	130	200	0	12	3.5	180	195	155	250	320					
90L	140	125	56	24	50	8	20	90	10	165	130	200	0	12	3.5	180	195	155	250	345					
100L	160	140	63	28	60	8	24	100	12	215	180	250	0	15	4	205	215	180	270	385					
112M	190	140	70	28	60	8	24	112	12	215	180	250	0	15	4	230	240	190	300	400					
132S	216	140	89	38	80	10	33	132	12	265	230	300	0	15	4	270	275	210	345	470					
132M	216	178	89	38	80	10	33	132	12	265	230	300	0	15	4	270	275	210	345	510					
160M	254	210	108	42	110	12	37	160	15	300	250	350	0	19	5	315	330	255	400	605					
160L	254	254	108	42	110	12	37	160	15	300	250	350	0	19	5	315	330	255	400	660					
180M	279	241	121	48	110	14	42.5	180	15	300	250	350	0	19	5	355	380	280	440	690					
180L	279	279	121	48	110	14	42.5	180	15	300	250	350	0	19	5	355	380	280	440	725					
200L	318	305	133	55	110	16	49	200	19	350	300	400	0	19	5	410	420	305	500	765					
225S	356	286	149	-	60	-	53	225	19	400	350	450	0	19	5	445	470	335	555	-	810				
225M	356	311	149	55	60	110	140	16	18	49	53	225	19	400	350	450	0	19	5	445	470	335	550	805	835
250M	406	349	168	60	65	140	18	53	58	250	24	500	450	550	0	19	5	485	510	370	615	910			
280S	457	368	190	65	75	140	18	20	58	67.5	280	24	500	450	550	0	19	5	550	580	410	660	980		
280M	457	419	190	65	75	140	18	20	58	67.5	280	24	500	450	550	0	19	5	550	580	410	660	1030		
315S	508	406	216	65	80	140	170	18	22	58	71	315	28	600	550	660	0	24	6	630	645	630	825	1180	1275
315M	508	457	216	65	80	140	170	18	22	58	71	315	28	600	550	660	0	24	6	630	645	630	830	1290	1320
315L	508	508	216	65	80	140	170	18	22	58	71	315	28	600	550	660	0	24	6	630	645	630	830	1290	1320
355M	610	560	254	75	95	140	170	20	25	67.5	86	355	28	740	680	800	0	24	6	705	710	655	1010	1510	1540
355L	610	630	254	75	95	140	170	20	25	67.5	86	355	28	740	680	800	0	24	6	705	710	655	1010	1510	1540

TECHNICAL DATA

Model	Power		Rated Current (A)		Rated Current (A)		Rated Current (A)		Rated Speed (rpm)	Eff (%)	Power Factor cosp	Ts/Tn	Tmax/Tn	Is/In	Weight (kg)			
	KW	HP	220V	380V	660V	230V	400V	690V								240V	415V	720V
Synchronous Speed 3000r/min(2Poles)50HZ																		
Y2-631-2	0.18	0.25	0.91	0.53	0.24	0.87	0.50	0.23	0.83	0.48	0.22	2760	65.0	0.80	2.2	2.2	5.5	7
Y2-632-2	0.25	0.35	1.19	0.69	0.32	1.14	0.66	0.31	1.09	0.63	0.29	2760	68.0	0.81	2.2	2.2	5.1	7.2
Y2-711-2	0.37	0.5	1.71	0.99	0.46	1.64	0.94	0.44	1.57	0.91	0.42	2800	70.0	0.81	2.2	2.2	6.0	9.7
Y2-712-2	0.55	0.75	2.41	1.40	0.66	2.31	1.33	0.63	2.21	1.28	0.60	2800	73.0	0.82	2.2	2.2	6.0	10.7
Y2-801-2	0.75	1	3.29	1.90	0.91	3.15	1.81	0.87	3.01	1.74	0.83	2890	72.1	0.83	2.2	2.2	6.0	16
Y2-802-2	1.1	1.5	4.58	2.65	1.28	4.38	2.52	1.23	4.20	2.43	1.18	2900	75.0	0.84	2.2	2.2	7.0	17
Y2-90S-2	1.5	2	6.07	3.51	1.70	5.81	3.34	1.63	5.56	3.22	1.56	2900	77.2	0.84	2.2	2.2	7.0	21
Y2-90L-2	2.2	3	8.52	4.93	2.41	8.15	4.69	2.31	7.81	4.52	2.21	2930	79.7	0.85	2.2	2.2	7.0	25
Y2-100L-2	3	4	11.10	6.43	3.22	10.62	6.11	3.08	10.18	5.89	2.95	2930	81.5	0.87	2.2	2.2	7.0	43
Y2-112M-2	4	5.5	14.35	8.31	4.21	13.73	7.90	4.03	13.16	7.61	3.86	2930	83.1	0.88	2.2	2.2	8.0	42
Y2-132S1-2	5.5	7.5	19.36	11.21	5.68	18.52	10.65	5.43	17.75	10.27	5.21	2940	84.7	0.88	2.2	2.2	8.0	64
Y2-132S2-2	7.5	10	26.01	15.06	7.63	24.88	14.30	7.30	23.84	13.79	6.99	2950	86.0	0.88	2.2	2.2	8.0	68
Y2-160M1-2	11	15	37.03	21.44	10.98	35.42	20.36	10.51	33.94	19.63	10.07	2950	87.6	0.89	2.0	2.2	8.0	106
Y2-160M2-2	15	20	49.86	28.87	14.79	47.70	27.43	14.15	45.71	26.43	13.56	2970	88.7	0.89	2.0	2.2	8.0	107
Y2-160M3-2	18.5	25	60.41	34.97	18.12	57.78	33.22	17.33	55.37	32.02	16.61	2970	89.3	0.90	2.0	2.2	8.0	117

TECHNICAL DATA

Model	Power			Rated Current (A)			Rated Current(A)			Rated Current (A)			Rated Speed (rpm)	Eff (%)	Power Factor	Ts/Tm	Tmax/Tn	Is/In	Weig ht (kg)
	KW	HP	220V	380V	660V	230V	400V	690V	240V	415V	720V								
Y2-160L-2	18.5	25	60.41	34.97	18.12	57.78	33.22	17.33	55.37	32.02	16.61	2970	89.3	0.90	2.0	2.2	8.0	130	
Y2-180M-2	22	30	71.36	41.31	21.41	68.25	39.25	20.48	65.41	37.83	19.62	2970	89.9	0.90	2.0	2.2	8.0	152	
Y2-180M2-2	30	40	96.45	55.84	28.93	92.25	53.05	27.68	88.41	51.13	26.52	2970	90.7	0.90	2.0	2.2	8.0	180	
Y2-180L2-2	30	40	96.45	55.84	28.93	92.25	53.05	27.68	88.41	51.13	26.52	2970	90.7	0.90	2.0	2.2	8.0	195	
Y2-200L1-2	30	40	96.45	55.84	28.93	92.25	53.05	27.68	88.41	51.13	26.52	2970	90.7	0.90	2.0	2.2	8.0	220	
Y2-200L2-2	37	50	118.30	68.49	35.49	113.16	65.06	33.95	108.44	62.71	32.53	2980	91.2	0.90	2.0	2.2	8.0	230	
Y2-200L3-2	45	60	143.09	82.84	42.93	136.87	78.70	41.06	131.17	75.86	39.35	2980	91.7	0.90	2.0	2.2	8.0	252	
Y2-225M-2	45	60	143.09	82.84	42.93	136.87	78.70	41.06	131.17	75.86	39.35	2980	91.7	0.90	1.8	2.2	8.0	280	
Y2-225M2-2	55	75	174.13	100.81	52.24	166.56	95.77	49.97	159.62	92.31	47.89	2980	92.1	0.90	1.8	2.2	8.0	310	
Y2-250M-2	55	75	174.13	100.81	52.24	166.56	95.77	49.97	159.62	92.31	47.89	2980	92.1	0.90	1.8	2.2	7.0	366	
Y2-250M2-2	75	100	235.92	136.58	70.77	225.66	129.75	67.70	216.26	125.06	64.88	2980	92.7	0.90	1.8	2.2	7.0	445	
Y2-280S-2	75	100	235.92	136.58	70.77	225.66	129.75	67.70	216.26	125.06	64.88	2980	92.7	0.90	1.8	2.2	7.0	475	
Y2-280M-2	90	125	279.08	161.57	84.66	266.95	153.50	80.97	255.83	147.95	77.60	2980	93.0	0.91	1.8	2.2	7.0	530	
Y2-280M2-2	110	150	340.01	196.85	103.14	325.22	187.00	98.65	311.67	180.24	94.54	2980	93.3	0.91	1.8	2.2	7.0	600	
Y2-315S-2	110	150	340.01	196.85	103.14	325.22	187.00	98.65	311.67	180.24	94.54	2980	93.3	0.91	1.8	2.2	6.8	850	
Y2-315M1-2	132	180	407.13	235.71	123.50	389.43	223.92	118.13	373.21	215.83	113.21	2980	93.5	0.91	1.8	2.2	6.8	930	
Y2-315L1-2	160	220	486.57	281.70	149.22	465.42	267.61	142.73	446.02	257.94	136.78	2980	93.8	0.92	1.8	2.2	6.8	990	
Y2-315L2-2	200	270	606.92	351.37	186.12	580.53	333.81	178.03	556.34	321.74	170.61	2980	94.0	0.92	1.8	2.2	6.8	1030	
Y2-355M-2	250	340	758.65	439.22	232.25	725.66	417.26	222.54	695.43	402.18	213.26	2980	94.0	0.92	1.6	2.2	7.0	1650	
Y2-355L-2	315	430	941.87	545.29	288.84	900.92	518.03	276.28	863.38	499.30	264.77	2980	95.4	0.92	1.6	2.2	7.0	1750	

Synchronous Speed 1500r/min(4Poles)50HZ

Y2-631-4	0.120	0.16	0.77	0.44	0.18	0.73	0.42	0.18	0.70	0.41	0.17	1350	57.0	0.72	2.2	2.2	4.5	7
Y2-632-4	0.180	0.25	1.08	0.62	0.26	1.03	0.59	0.25	0.99	0.57	0.24	1350	60.0	0.73	2.2	2.2	4.5	7.2
Y2-711-4	0.250	0.35	1.36	0.79	0.34	1.30	0.75	0.32	1.25	0.72	0.31	1370	65.0	0.74	2.2	2.2	5.5	8.4
Y2-712-4	0.37	0.5	1.93	1.12	0.48	1.85	1.06	0.46	1.77	1.02	0.44	1370	67.0	0.75	2.2	2.2	5.5	9
Y2-801-4	0.550	0.75	2.71	1.57	0.68	2.59	1.49	0.65	2.48	1.42	0.62	1400	71.0	0.75	2.2	2.2	5.5	16
Y2-802-4	0.75	1	3.59	2.08	0.91	3.44	1.98	0.87	3.29	1.90	0.83	1400	72.1	0.76	2.2	2.2	6.0	17
Y2-90S-4	1.1	1.5	5.00	2.89	1.28	4.78	2.75	1.23	4.58	2.65	1.18	1400	75.0	0.77	2.2	2.2	6.0	22
Y2-90L-4	1.5	2	6.45	3.74	1.70	6.17	3.55	1.63	5.92	3.42	1.56	1400	77.2	0.79	2.2	2.2	6.0	26
Y2-100L1-4	2.2	3	8.94	5.18	2.41	8.55	4.92	2.31	8.20	4.74	2.21	1420	79.7	0.81	2.2	2.2	7.0	33
Y2-100L2-4	3	4	11.78	6.82	3.22	11.27	6.48	3.08	10.80	6.25	2.95	1420	81.5	0.82	2.2	2.2	7.0	36
Y2-112M-4	4	5.5	15.41	8.92	4.21	14.74	8.47	4.03	14.12	8.17	3.86	1440	83.1	0.82	2.2	2.2	7.0	46
Y2-132S-4	5.5	7.5	20.53	11.89	5.68	19.64	11.29	5.43	18.82	10.88	5.21	1440	84.7	0.83	2.2	2.2	7.0	64
Y2-132M-4	7.5	10	27.25	15.77	7.63	26.06	14.99	7.30	24.98	14.44	6.99	1440	86.0	0.84	2.0	2.2	7.0	77
Y2-132M2-4	9.2	12.5	32.85	19.02	9.20	31.42	18.07	8.80	30.11	17.41	8.43	1460	87.5	0.84	2.0	2.2	7.0	76
Y2-160M-4	11	15	39.23	22.71	10.98	37.53	21.58	10.51	35.96	20.80	10.07	1460	87.6	0.84	2.0	2.2	7.0	106
Y2-160L-4	15	20	52.21	30.23	14.79	49.94	28.72	14.15	47.86	27.68	13.56	1460	88.7	0.85	2.0	2.2	7.0	126
Y2-180M-4	18.5	25	63.22	36.60	18.12	60.47	34.77	17.33	57.95	33.51	16.61	1470	89.3	0.86	2.2	2.2	7.5	154
Y2-180L-4	22	30	74.48	43.23	21.41	71.43	41.07	20.48	68.45	39.59	19.62	1470	89.9	0.86	2.2	2.2	7.5	175
Y2-180L2-4	30	40	100.93	58.43	28.93	96.54	55.51	27.68	92.52	53.51	26.52	1470	90.7	0.86	2.2	2.2	7.5	200
Y2-200L-4	30	40	100.93	58.43	28.93	96.54	55.51	27.68	92.52	53.51	26.52	1470	90.7	0.86	2.2	2.2	7.5	235
Y2-200L2-4	37	50	122.38	70.85	35.49	117.06	67.31	33.95	112.18	64.88	32.53	1480	91.2	0.87	2.2	2.2	7.5	250
Y2-225S-4	37	50	122.38	70.85	35.49	117.06	67.31	33.95	112.18	64.88	32.53	1480	91.2	0.87	2.2	2.2	7.5	295
Y2-225M-4	45	60	148.03	85.70	42.93	141.59	81.41	41.06	135.69	78.47	39.35	1480	91.7	0.87	2.2	2.2	7.5	306
Y2-225M2-4	55	75	180.14	104.29	52.24	172.30	99.07	49.97	165.12	95.49	47.89	1480	92.1	0.87	2.2	2.2	7.0	340
Y2-250M-4	55	75	180.14	104.29	52.24	172.30	99.07	49.97	165.12	95.49	47.89	1480	92.1	0.87	2.2	2.2	7.0	375
Y2-250M2-4	75	100	244.05	141.29	70.77	233.44	134.23	67.70	223.71	129.38	64.88	1480	92.7	0.87	2.2	2.2	7.0	490
Y2-280S-4	75	100	244.05	141.29	70.77	233.44	134.23	67.70	223.71	129.38	64.88	1480	92.7	0.87	2.2	2.2	7.0	533
Y2-280M-4	90	125	291.92	169.00	84.66	279.22	160.55	80.97	267.59	154.75	77.60	1480	93.0	0.87	2.2	2.2	7.0	575
Y2-280M2-4	110	150	351.60	203.56	103.14	336.31	193.38	98.65	322.30	186.39	94.54	1490	93.3	0.88	2.1	2.2	6.9	685
Y2-315S-4	110	150	351.60	203.56	103.14	336.31	193.38	98.65	322.30	186.39	94.54	1490	93.3	0.88	2.1	2.2	6.9	820
Y2-315M-4	132	180	421.01	243.74	123.50	402.71	231.56	118.13	385.93	223.19	113.21	1490	93.5	0.88	2.1	2.2	6.9	960
Y2-315L1-4	160	220	502.97	291.19	149.22	481.10	276.63	142.73	461.06	266.64	136.78	1490	93.8	0.89	2.1	2.2	6.9	1000
Y2-315L2-4	200	270	627.38	363.22	186.12	600.10	345.06	178.03	575.10	332.59	170.61	1490	94.0	0.89	2.3	2.2	6.9	1080
Y2-355M-4	250	340	775.51	448.98	232.65	741.79	426.53	222.54	710.88	411.11	213.26	1485	94.0	0.90	2.3	2.2	6.8	1580
Y2-355L-4	315	430	964.82	558.58	289.45	922.87	530.65	276.86	884.42	511.47	265.33	1485	95.2	0.90	2.2	2.2	6.9	1730

Synchronous Speed 1000r/min(6Poles)50HZ

Y2-711-6	0.180	0.25	1.28	0.74	0.28	1.22	0.70	0.27	1.17	0.68	0.26	880	56.0	0.66	2.2	2.2	4.0	8
Y2-712-6	0.250	0.35	1.64	0.95	0.37	1.56	0.90	0.35	1.50	0.87	0.34	880	59.0	0.68	2.0	2.2	4.0	8.4
Y2-801-6	0.37	0.5	2.24	1.30	0.52	2.14	1.23	0.50	2.05	1.19	0.48	900	62.0	0.70	2.0	2.2	5.0	17

TECHNICAL DATA

Model	Power			Rated Current (A)			Rated Current(A)			Rated Current (A)			Rated Speed (rpm)	Eff (%)	Power Factor	Ts/Tm	Tmax/Tn	Is/In	Weig ht (kg)
	KW	HP	220V	380V	660V	230V	400V	690V	240V	415V	720V								
Y2-802-6	0.55	0.75	3.08	1.79	0.74	2.95	1.70	0.71	2.83	1.63	0.68	900	65.0	0.72	2.0	2.2	5.0	19	
Y2-90S-6	0.75	1	3.91	2.26	0.94	3.74	2.15	0.90	3.58	2.07	0.86	910	70.0	0.72	2.0	2.2	5.5	22	
Y2-90L-6	1.1	1.5	5.42	3.14	1.32	5.19	2.98	1.26	4.97	2.88	1.21	910	72.9	0.73	2.0	2.2	5.5	24	
Y2-100L-6	1.5	2	6.98	4.04	1.74	6.68	3.84	1.67	6.40	3.70	1.60	940	75.2	0.75	2.0	2.2	5.5	31	
Y2-112M-6	2.2	3	9.78	5.66	2.48	9.35	5.38	2.37											