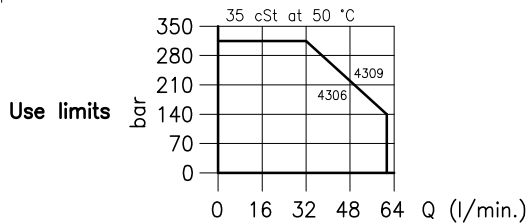
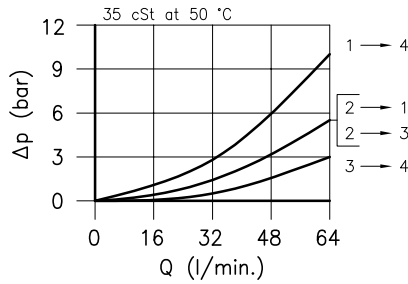
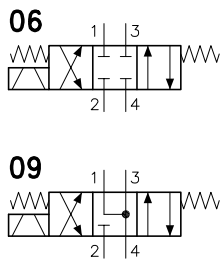
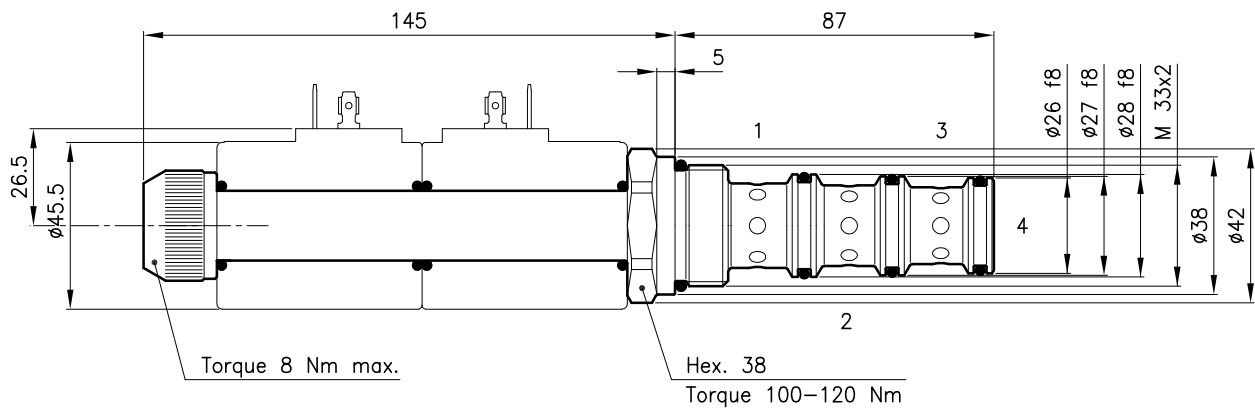


Technical features



| | |
|--|-------------------------|
| Cavity (For dimensions see catalogue 17.000) | S 50/4 |
| Max. flow (l/min.) | 60 |
| Max. pressure way 1-2-3 (bar) | 315 |
| Max. pressure way 4 (bar) | 210 |
| Max. leakage (cm ³ /min.) | 40 |
| Response time (ms) <small>It change in function of circuit, pressure, flow and fluid viscosity.</small> | 40 - 80 (Mean value) |
| Fluid viscosity range (cSt) | 2.8 - 380 |
| Fluid temperature range (°C) | -20 +80 |
| Mass (kg) | 0.580 |
| Hydraulic fluid; mineral oil HM and HV ISO 6074 | |
| Recommended filtration; 19/15 ISO 4466 (25 μ absolutes) | |
| Standard seals in Polyurethane and Buna N | |

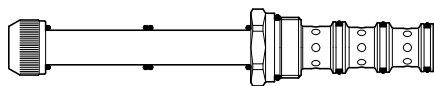
Dimensions



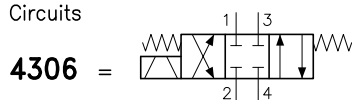
Ordering informations

ETD 50/4306

ETD 50/43.. = Valve type
Centre closed



Circuits



Codes:

| | |
|--------------------|------------|
| ETD 50/4306 | 55 011 127 |
| ETD 50/4309 | 55 011 128 |
| External seals kit | 90 620 108 |

ETD 50/43.. valves can be assembled on standard bodies 50-C4 series; for dimensions see catalogue 16.011

On the ETD 50 valves must be assembled the Coils B50 series; for dimensions, features and codes see catalogues 09.900 and 09.901.